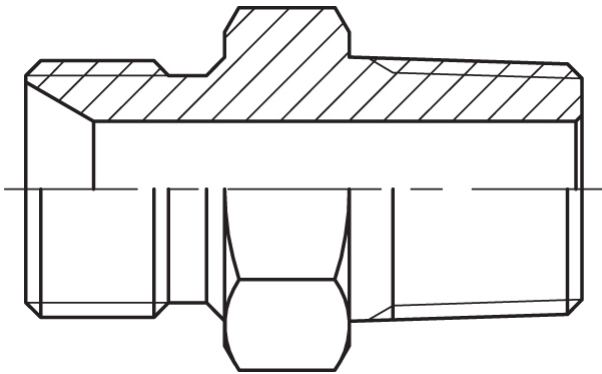


G M x NPT M



Product group

780

Material

Stainless Steel AISI 316

Adjustable

No

Bulkhead

No

Adapter type

BSP, NPT

Shape

Straight

Part no	Thread 1	Thread 2	Weight (kg)
78220404	G 1/4" Male	NPT 1/4"-18 Male	0.03
78220604	G 3/8" Male	NPT 1/4"-18 Male	0.05
78220606	G 3/8" Male	NPT 3/8"-18 Male	0.05
78220806	G 1/2" Male	NPT 3/8"-18 Male	0.05
78220808	G 1/2" Male	NPT 1/2"-14 Male	0.09
78220816	G 1/2" Male	NPT 1"-11.5 Male	-
78221208	G 3/4" Male	NPT 1/2"-18 Male	0.12
78221212	G 3/4" Male	NPT 3/4"-14 Male	0.12
78221216	G 3/4" Male	NPT 1"-11.5 Male	0.15
78221612	G 1" Male	NPT 3/4"-14 Male	0.19
78221616	G 1" Male	NPT 1"-11.5 Male	0.27
78222020	G 1 1/4" Male	NPT 1 1/4"-11.5 Male	0.36
78222416	G 1 1/2" Male	NPT 1"-11.5 Male	-
78222424	G 1 1/2" Male	NPT 1 1/2"-11.5 Male	0.42
78223232	G 2" Male	NPT 2"-11.5 Male	0.69